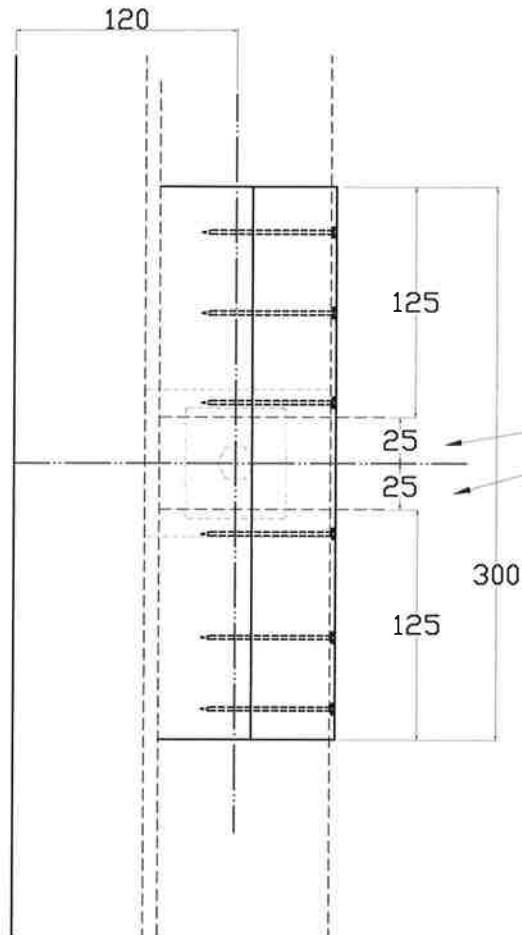


Absolute Balustrades Systems

Timber Fix Details for 54x60 Post with 100x80x15
Tapered Base Plate on 120mm Ctr Line



PLAN VIEW

"IMPORTANT"

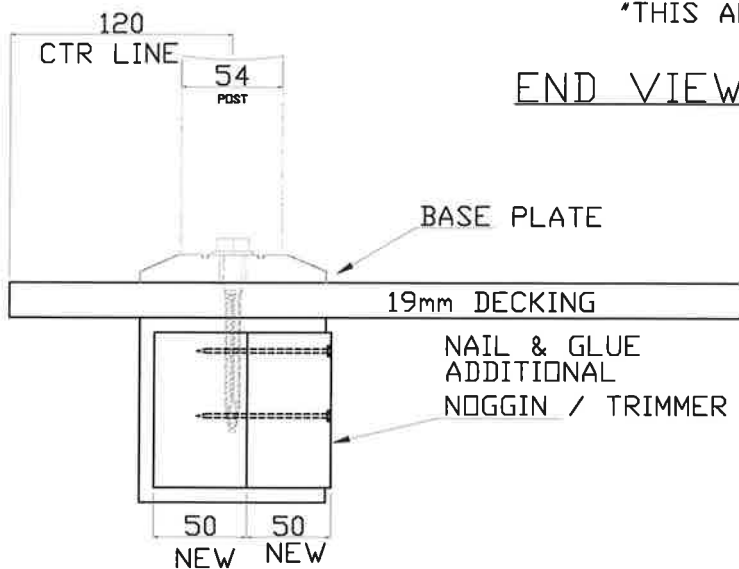
Leave 25mm both sides of ctr line
so nails don't obstruct balustrade fixings.

"IMPORTANT" Add extra timber @ leg positions
to pick up fixings. Approx 300mm long.
Suggest 150x50 Minimum. Fit tight up to underside
of decking & securely in between rafters. Also
fit to each other through the face.

"SUGGEST USING HARD WOOD TIMBER"

"NAIL & GLUE"

"THIS AREA CANNOT BE MADE TOO STRONG"



END VIEW

BASE PLATE

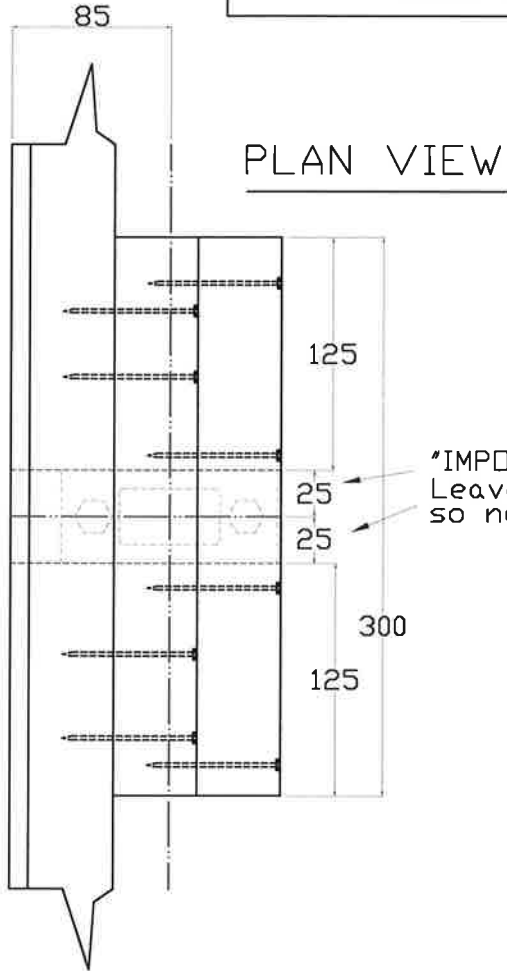
19mm DECKING

NAIL & GLUE
ADDITIONAL
NOGGIN / TRIMMER

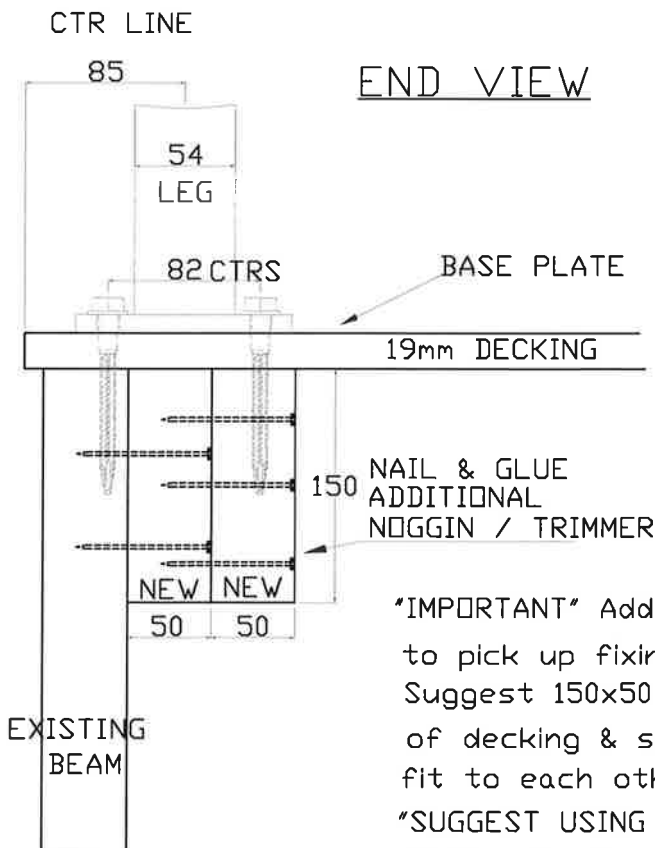
50 50
NEW NEW

Absolute Balustrades Systems

Timber Fix Details for 54x30 Female Leg with
116x50x10mm Base Plate on 85 CL



"IMPORTANT"
Leave 25mm both sides of ctr line
so nails don't obstruct balustrade fixings.



"IMPORTANT" Add extra timber @ leg positions
to pick up fixings. Aprox 300mm long.
Suggest 150x50 Minimum. Fit tight up to underside
of decking & securely in between rafters. Also
fit to each other through the face.
"SUGGEST USING HARD WOOD TIMBER"
"THIS AREA CANNOT BE MADE TOO STRONG"